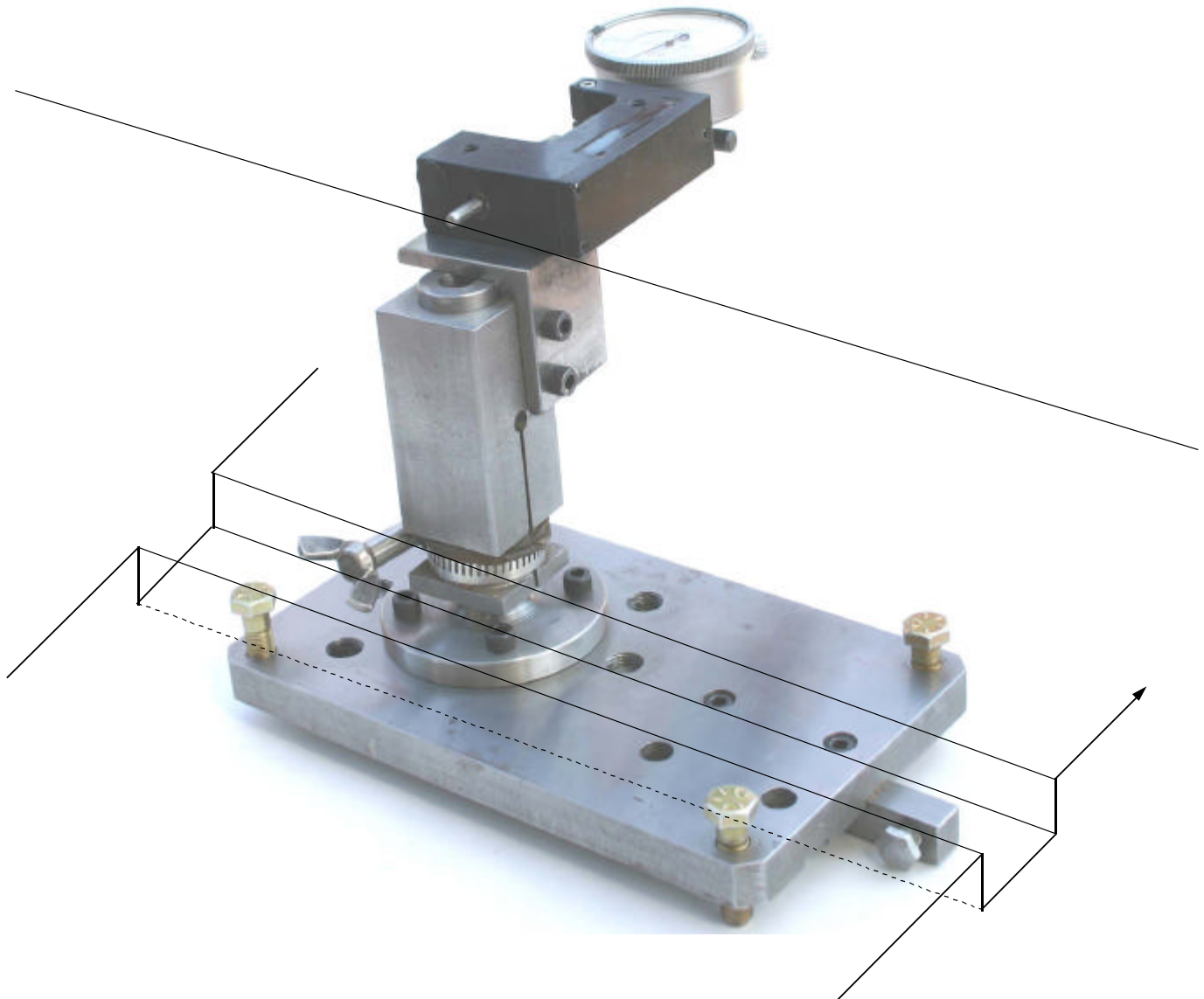


Canter Alignment Jig

An instrument for measuring the splined bed plate & rolls

Accurate
Saves time
Easy to use

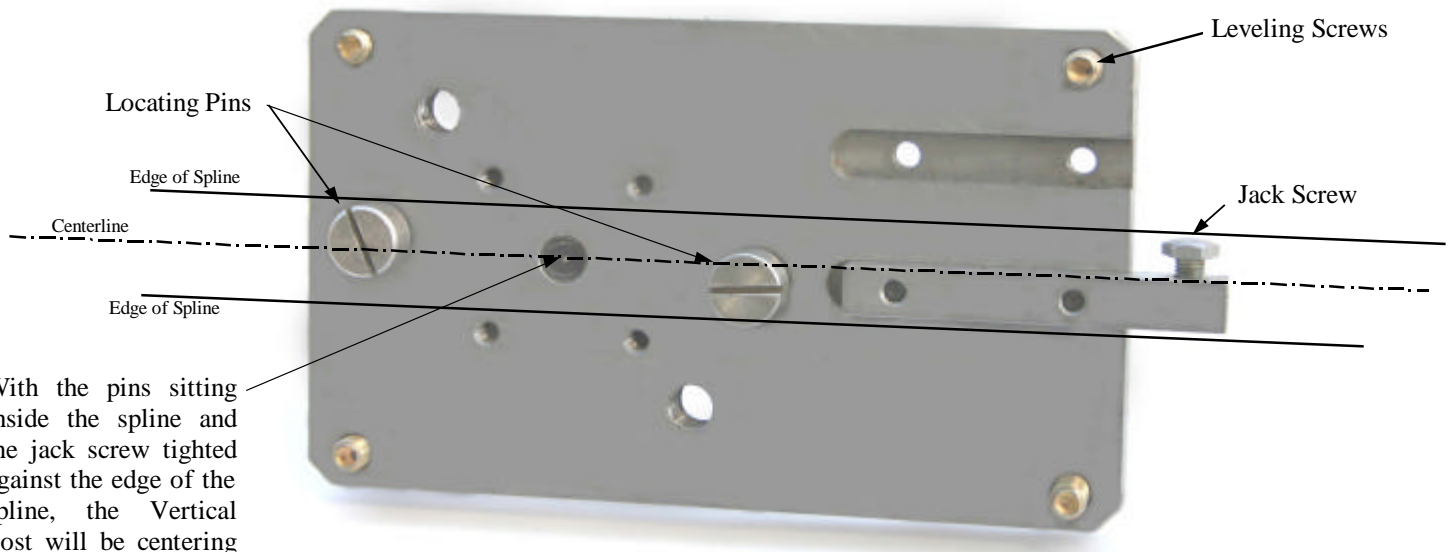


Measure from a wire to the centerline of the splined bed plate and rolls

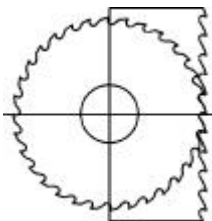
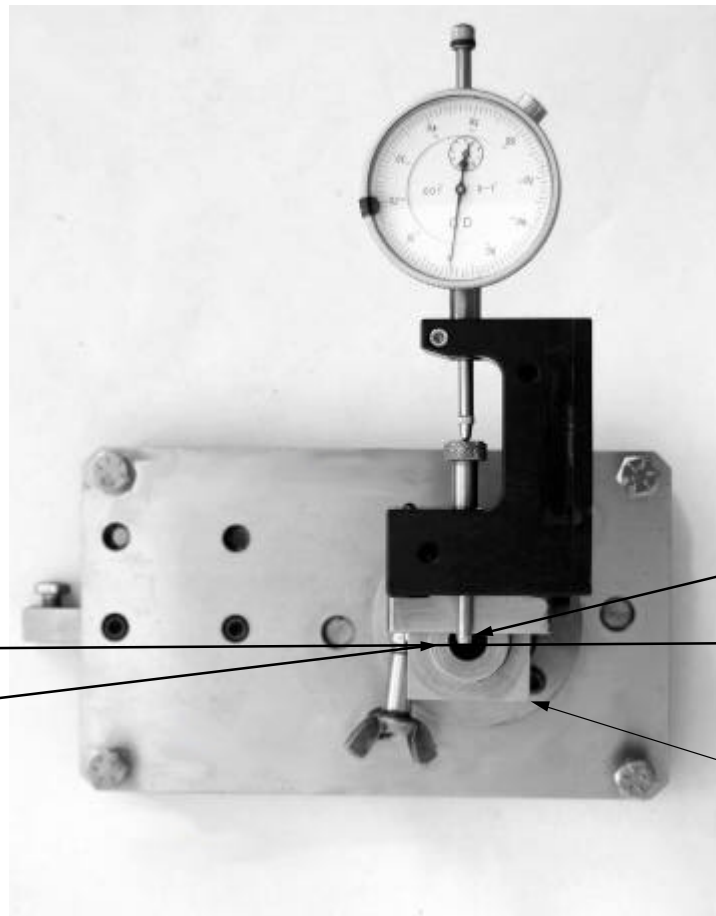
Canter Alignment Jig

How it works.....

Bottom of Jig



With the pins sitting inside the spline and the jack screw tightened against the edge of the spline, the Vertical Post will be centering between the two edges of the spline



TKT Engineering Inc
5858 179 Street
Surrey B.C.
V3S 4J9 - Canada

Phone : 604 880-1705
Fax : 604 648-8012
email: thinkerf@thinkerf.com
web : www.thinkerf.com